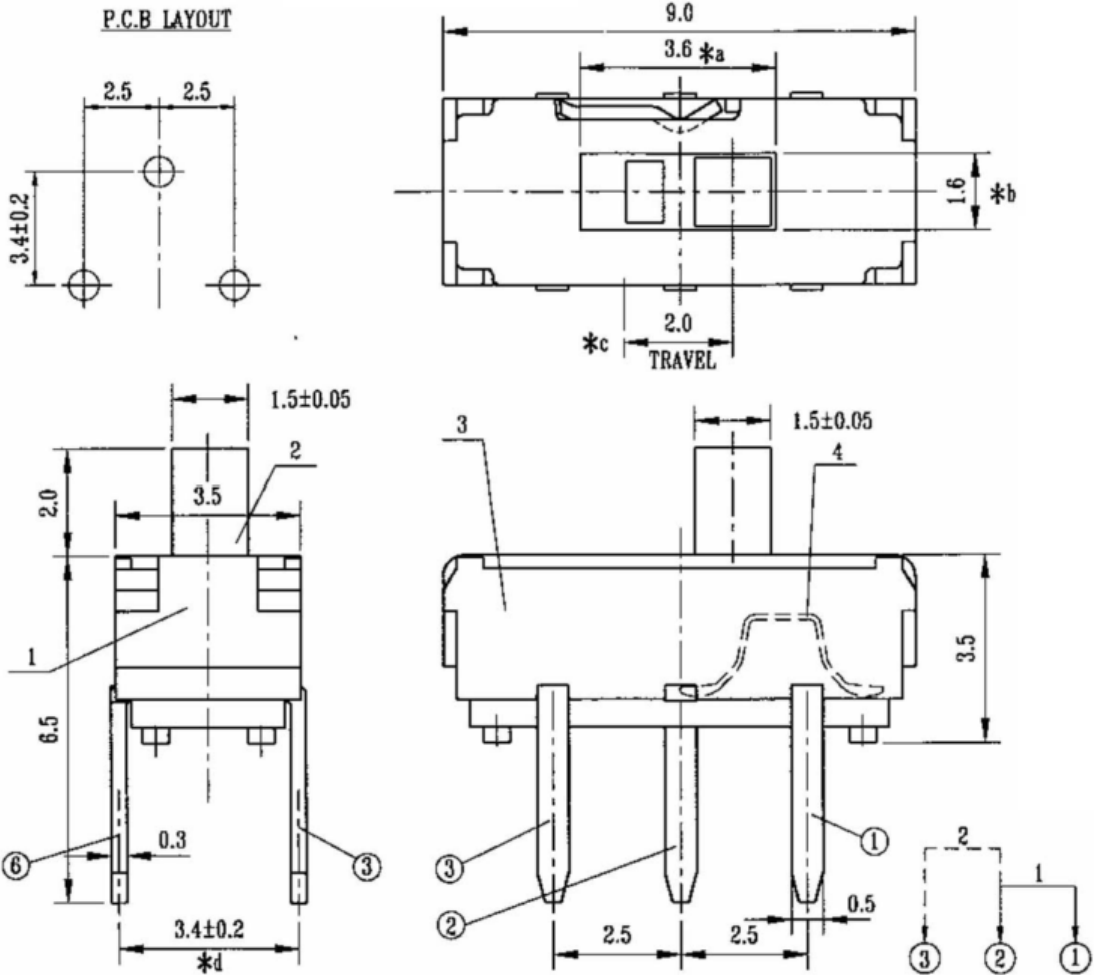
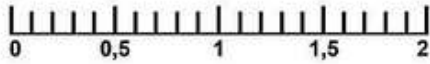




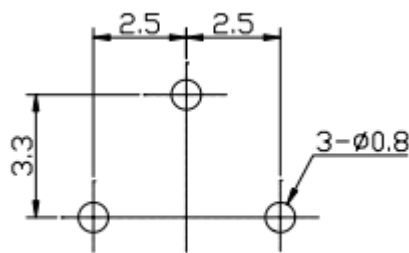
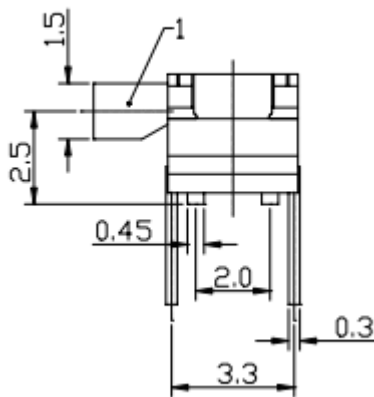
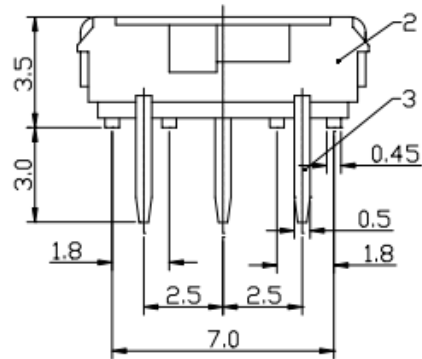
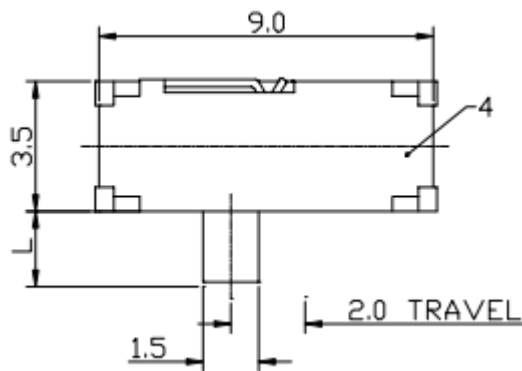
P.C.B LAYOUT



IS-1245T



ITEM	PERFORMANCE
Title	MINI SLIDE SWITCH
Model	IS-1245T
Rating	0.3A 6V DC
Function	1P2T
Timing	Non-shorting
ContactResistance(mohms)	70mΩ max
Insulation Resistanc(Mohms)	100MΩ min at500V DC
Dielectric Strength(V)	AC 500V for 1 min
LifeTest	10000 Cycles

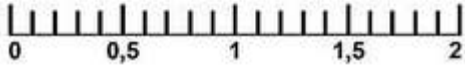


**P. C. B LAYOUT**

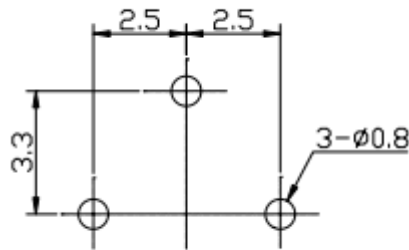
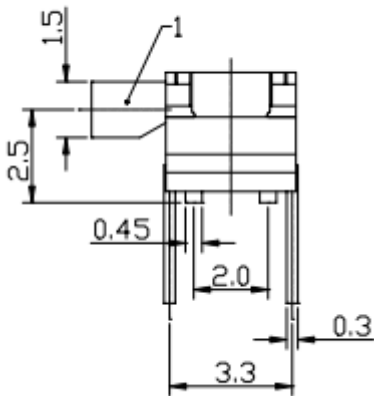
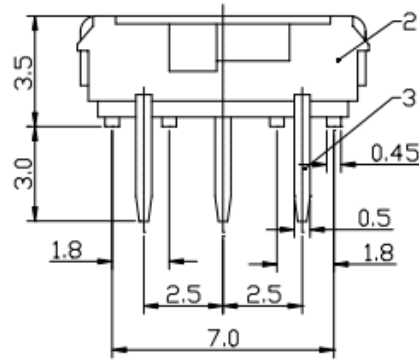
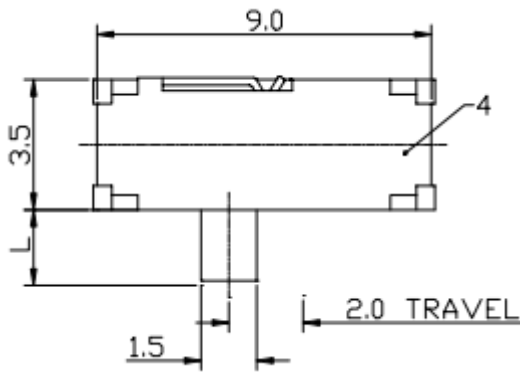


**SCHEMATIC**

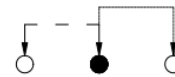
IS-1245T A



ITEM	PERFORMANCE
Title	MINI SLIDE SWITCH
Model	IS-1245T A
Rating	0.3A 6V DC
Function	1P2T
Timing	Non-shorting
ContactResistance(mohms)	70mΩ max
Insulation Resistanc(Mohms)	100MΩ min at500V DC
Dielectric Strength(V)	AC 500V for 1 min
LifeTest	10000 Cycles

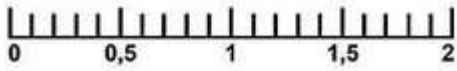


**P. C. B LAYOUT**

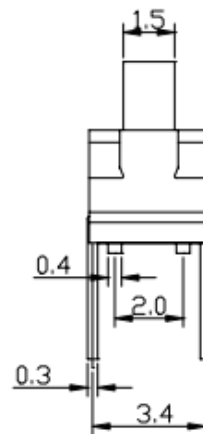
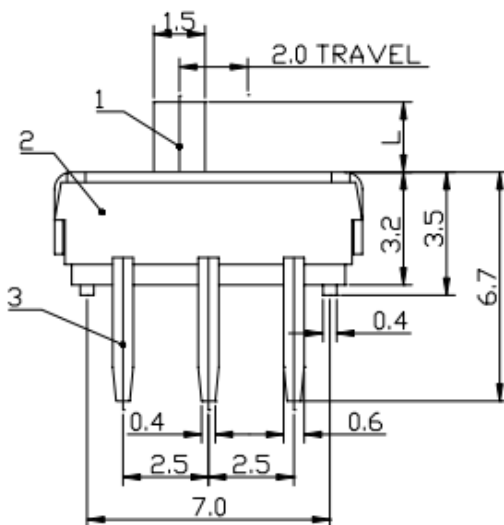
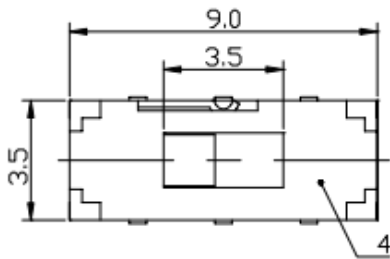


**SCHEMATIC**

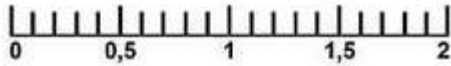
IS-1250



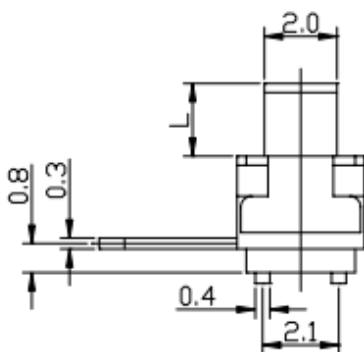
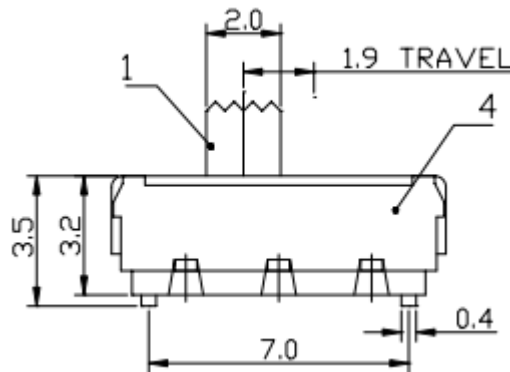
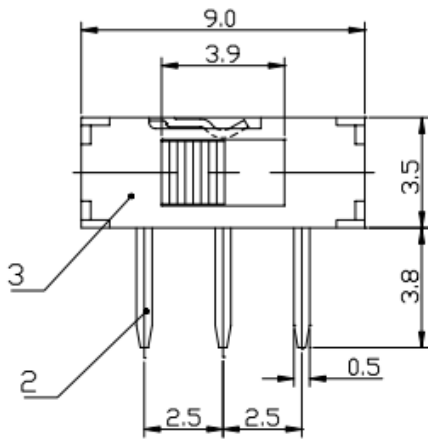
ITEM	PERFORMANCE
Title	MINI SLIDE SWITCH
Model	IS-1250
Rating	0.3A 6V DC
Function	2P2T
Timing	Non-shorting
ContactResistance(mohms)	70mΩ max
Insulation Resistanc(Mohms)	100MΩ min at500V DC
Dielectric Strength(V)	AC 500V for 1 min
LifeTest	10000 Cycles



IS-1260

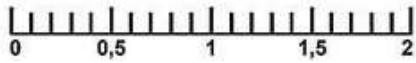


ITEM	PERFORMANCE
Title	MINI SLIDE SWITCH
Model	IS-1260
Rating	0.3A 6V DC
Function	1P2T
Timing	Non-shorting
ContactResistance(mohms)	70mΩ max
Insulation Resistanc(Mohms)	100MΩ min at500V DC
Dielectric Strength(V)	AC 500V for 1 min
LifeTest	10000 Cycles

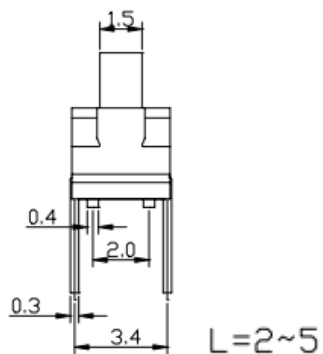
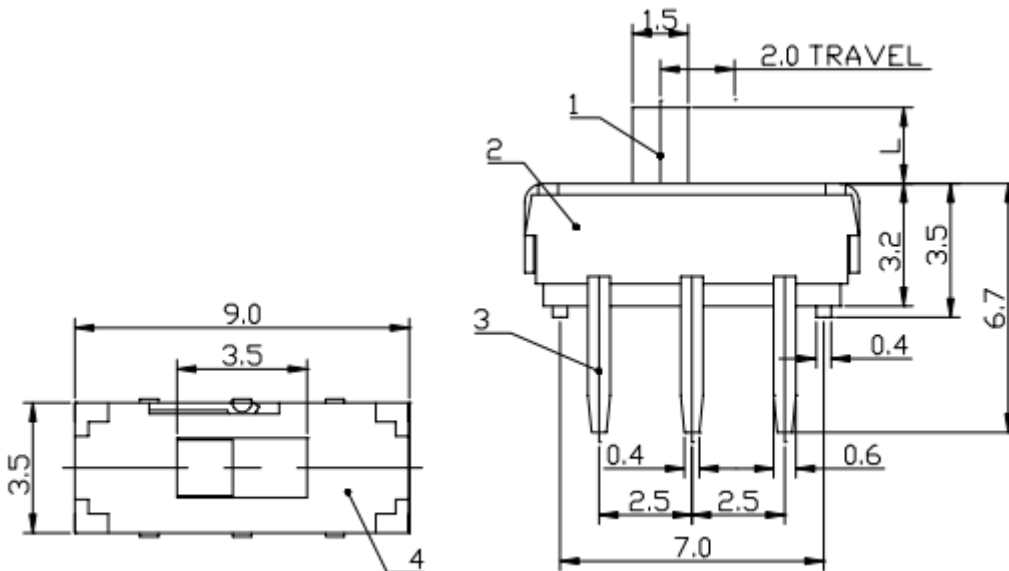


L=2-5

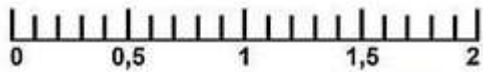
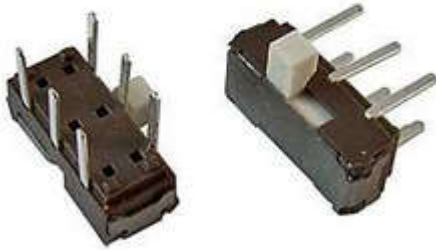
IS-2235



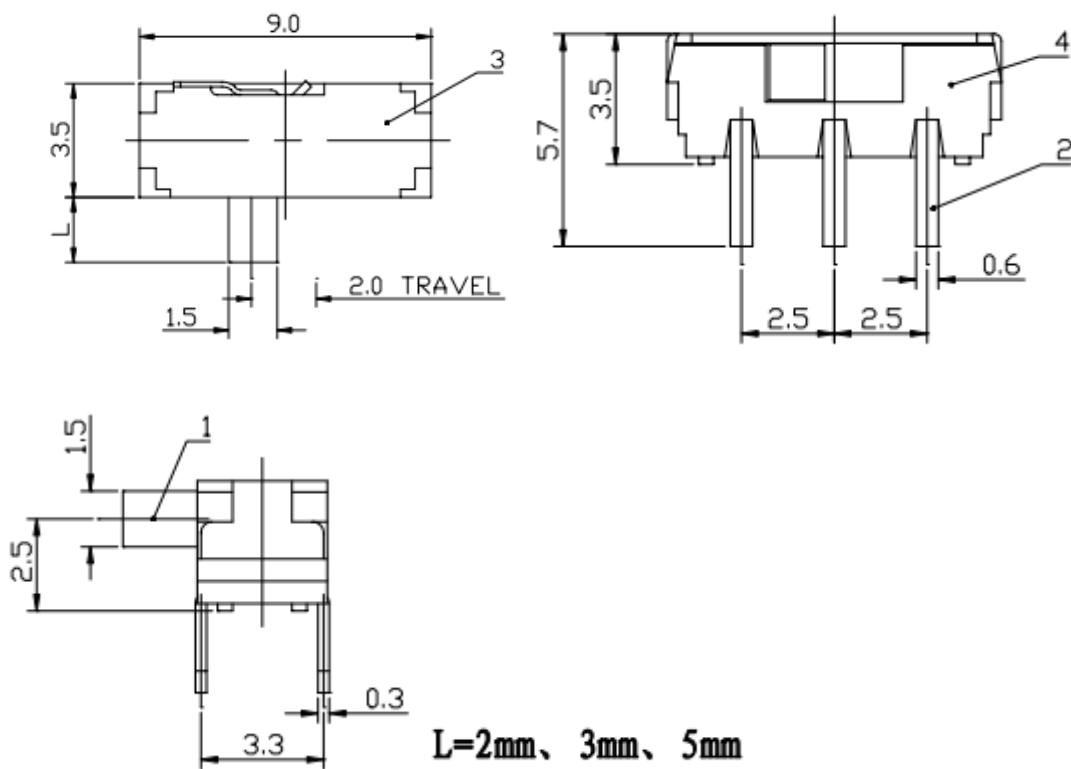
ITEM	PERFORMANCE
Title	MINI SLIDE SWITCH
Model	IS-2235
Rating	0.3A 6V DC
Function	2P2T
Timing	Non-shorting
ContactResistance(mohms)	70mΩ max
Insulation Resistanc(Mohms)	100MΩ min at500V DC
Dielectric Strength(V)	AC 500V for 1 min
LifeTest	10000 Cycles



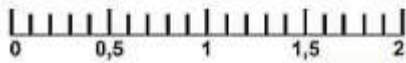
IS-2245



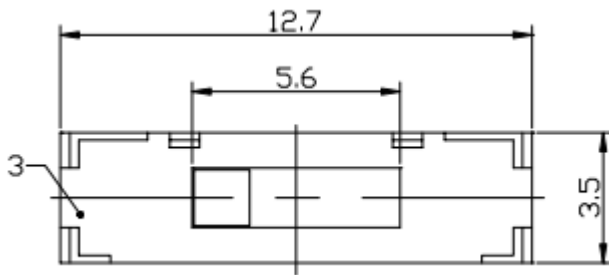
ITEM	PERFORMANCE
Title	MINI SLIDE SWITCH
Model	IS-2245
Rating	0.3A 6V DC
Function	2P2T
Timing	Non-shorting
ContactResistance(mohms)	70mΩ max
Insulation Resistanc(Mohms)	100MΩ min at500V DC
Dielectric Strength(V)	AC 500V for 1 min
LifeTest	10000 Cycles



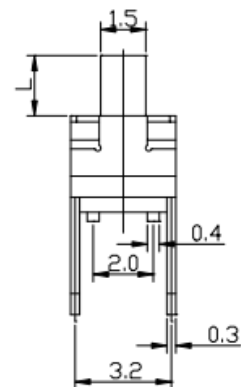
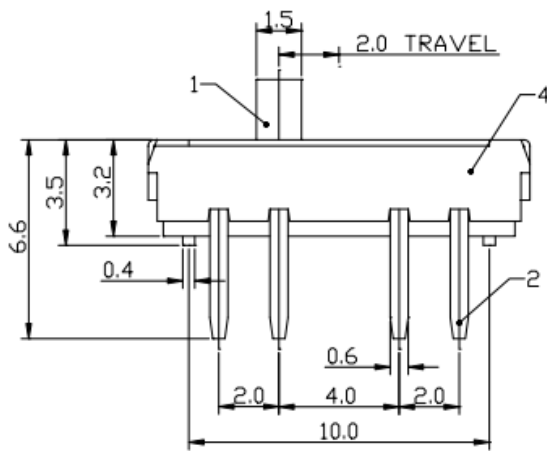
IS-2336



ITEM	PERFORMANCE
Title	MINI SLIDE SWITCH
Model	IS-2336
Rating	0.1A 12V DC
Function	2P3T
Timing	Non-shorting
ContactResistance(mohms)	70mΩ max
Insulation Resistanc(Mohms)	100MΩ min at500V DC
Dielectric Strength(V)	AC 500V for 1 min
LifeTest	10000 Cycles

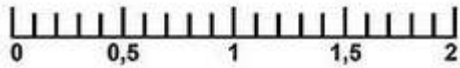
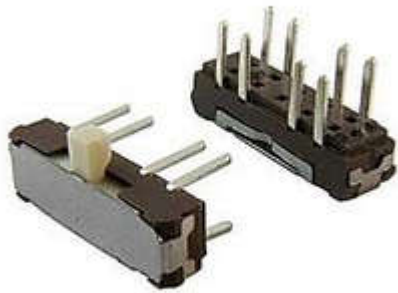


**L=2-5**

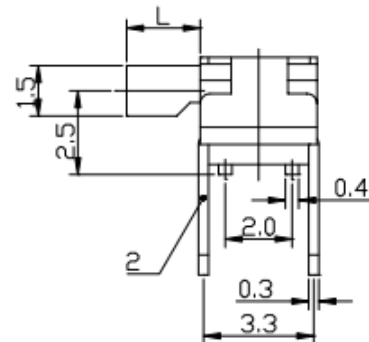
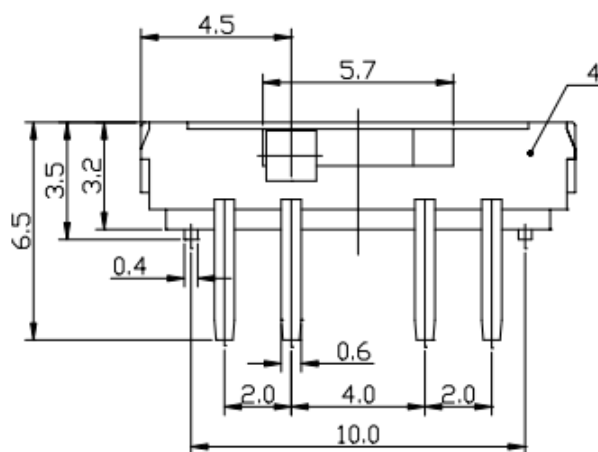
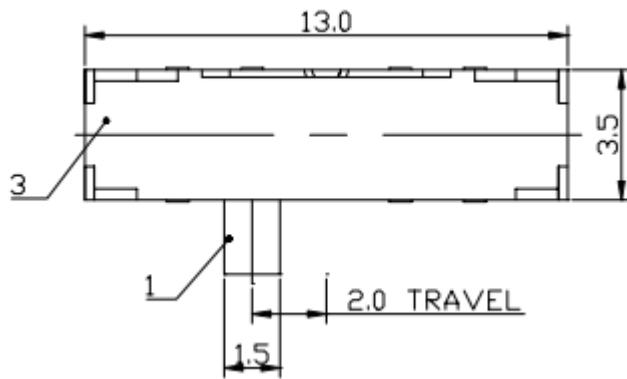




IS-2346

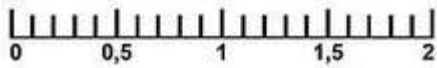
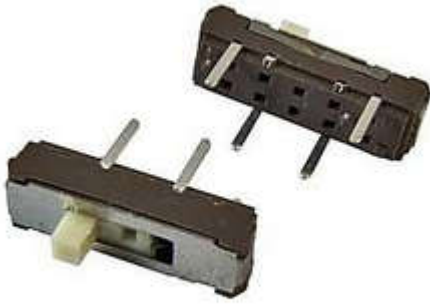


ITEM	PERFORMANCE
Title	MINI SLIDE SWITCH
Model	IS-2346
Rating	0.3A 6V DC
Function	2P3T
Timing	Non-shorting
ContactResistance(mohms)	70mΩ max
Insulation Resistanc(Mohms)	100MΩ min at500V DC
Dielectric Strength(V)	AC 500V for 1 min
LifeTest	10000 Cycles

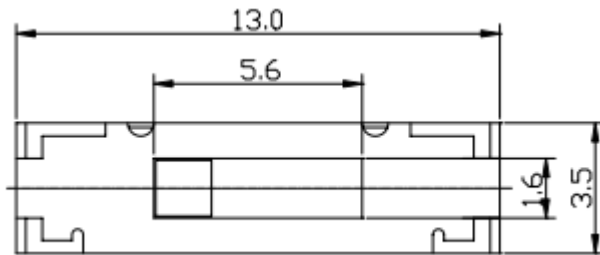


L=2-5

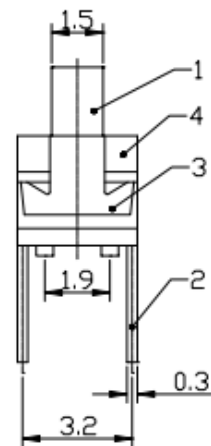
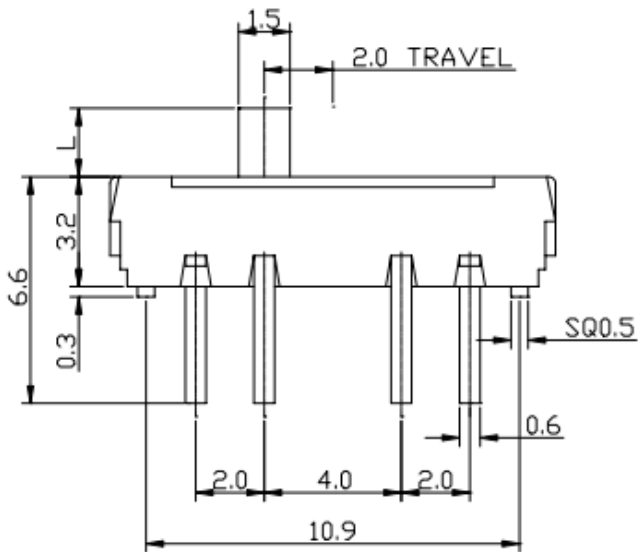
ISR-1336



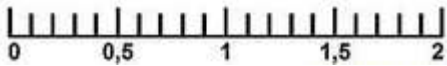
ITEM	PERFORMANCE
Title	MINI SLIDE SWITCH
Model	ISR-1336
Rating	0.1A 12V DC
Function	1P3T
Timing	Non-shorting
ContactResistance(mohms)	70mΩ max
Insulation Resistanc(Mohms)	100MΩ min at500V DC
Dielectric Strength(V)	AC 500V for 1 min
LifeTest	10000 Cycles



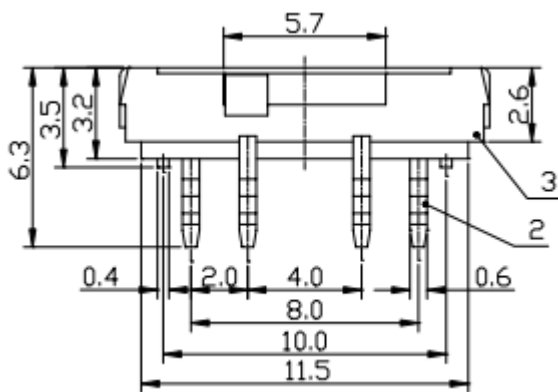
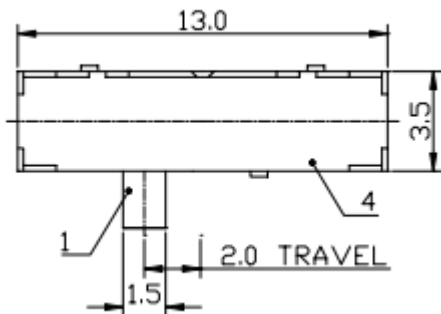
L=2-5



IRS-1346



ITEM	PERFORMANCE
Title	MINI SLIDE SWITCH
Model	IRS-1346
Rating	0.3A 6V DC
Function	1P3T
Timing	Non-shorting
ContactResistance(mohms)	70mΩ max
Insulation Resistanc(Mohms)	100MΩ min at500V DC
Dielectric Strength(V)	AC 500V for 1 min
LifeTest	10000 Cycles

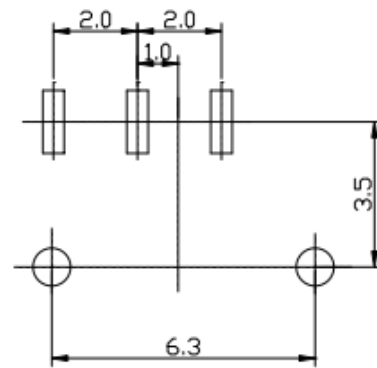
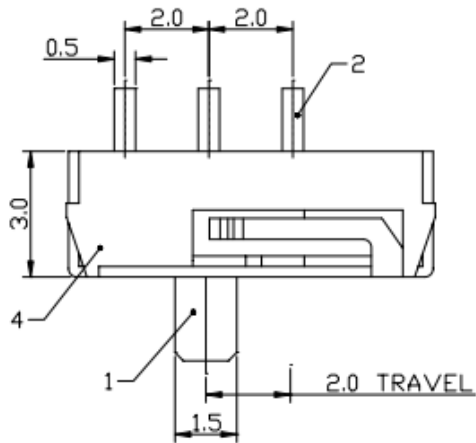


L=2~5

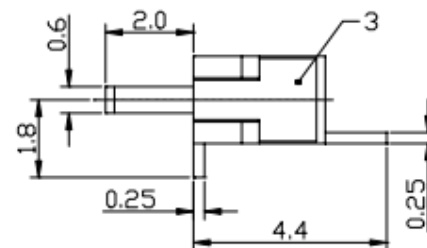
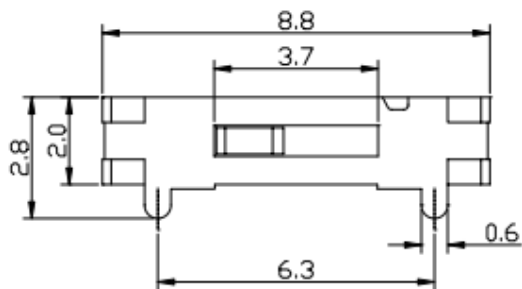
SMD IS-1270N



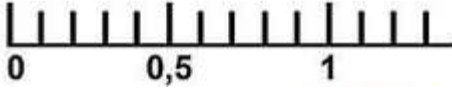
ITEM	PERFORMANCE
Title	MINI SLIDE SWITCH
Model	SMD IS-1270N
Rating	0.1A 12V DC
Function	1P2T
Timing	Non-shorting
ContactResistance(mohms)	70mΩ max
Insulation Resistanc(Mohms)	100MΩ min at500V DC
Dielectric Strength(V)	AC 500V for 1 min
LifeTest	10000 Cycles



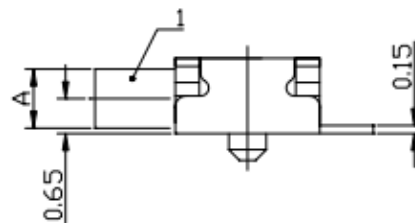
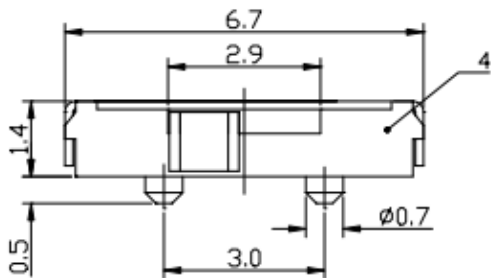
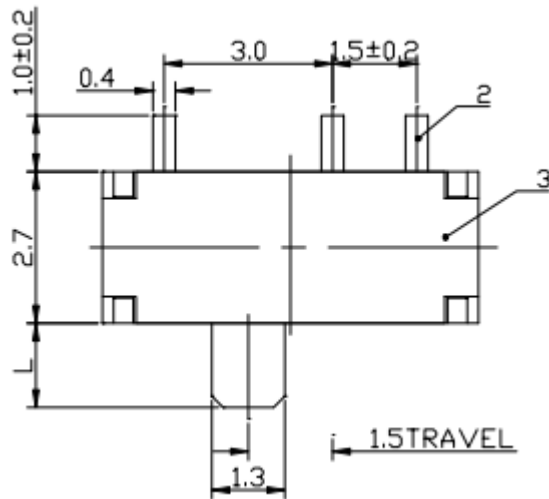
**P.C.B LAYOUT**



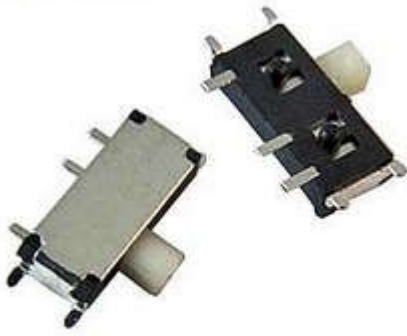
SMD IS-1290



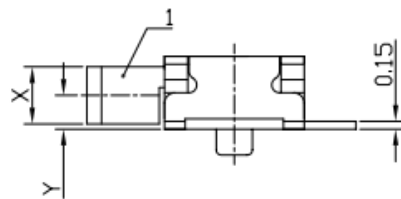
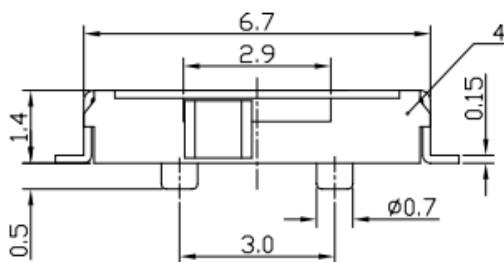
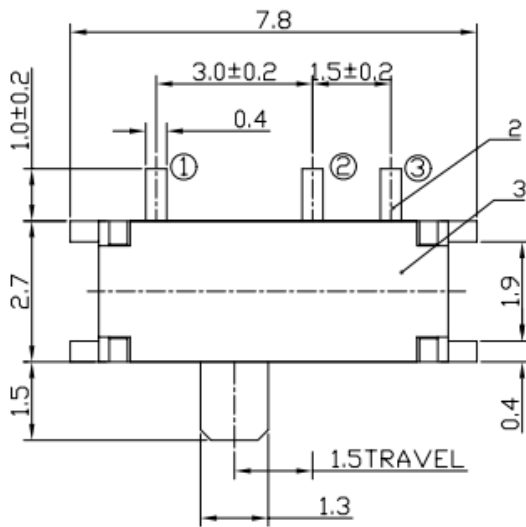
ITEM	PERFORMANCE
Title	MINI SLIDE SWITCH
Model	SMD IS-1290
Rating	0.3A6VDC
Function	1P2T
Timing	NON-SHORTING
ContactResistance(mohms)	70mΩ max
Insulation Resistanc(Mohms)	100MΩ min at500V DC
Dielectric Strength(V)	AC 500V for 1 min
LifeTest	10000 Cycles



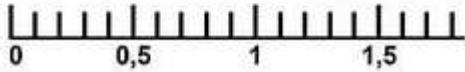
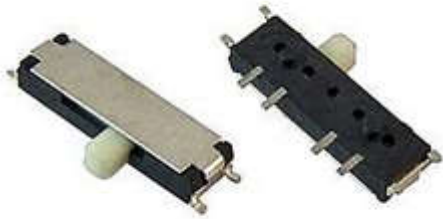
SMD IS-1290A-W



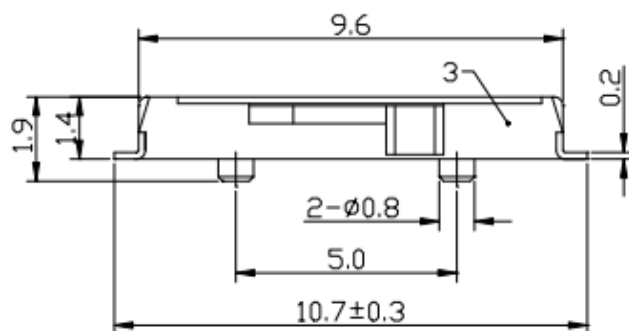
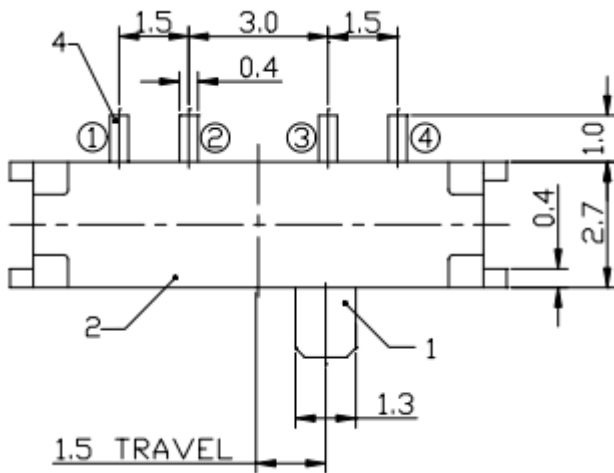
ITEM	PERFORMANCE
Title	MINI SLIDE SWITCH
Model	SMD IS-1290A-W
Rating	0.3A6VDC
Function	1P2T
Timing	NON-SHORTING
ContactResistance(mohms)	70mΩ max
Insulation Resistanc(Mohms)	100MΩ min at500V DC
Dielectric Strength(V)	AC 500V for 1 min
LifeTest	10000 Cycles



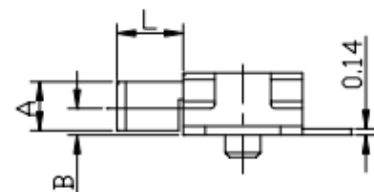
SMD IS-1300A-W



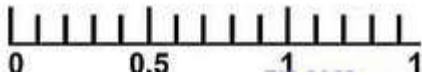
ITEM	PERFORMANCE
Title	MINI SLIDE SWITCH
Model	SMD IS-1300A-W
Rating	0.1A 12V DC
Function	1P3T
Timing	Non-shorting
ContactResistance(mohms)	80mΩ max
Insulation Resistanc(Mohms)	100MΩ min at500V DC
Dielectric Strength(V)	AC 500V for 1 min
LifeTest	10000 Cycles



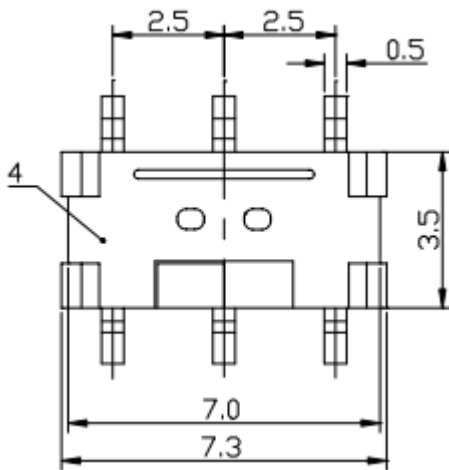
L=1-2



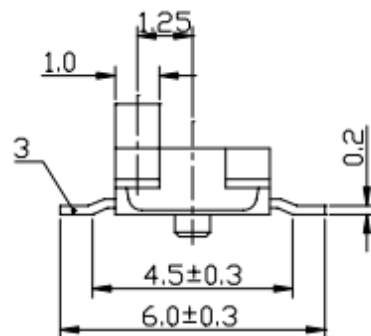
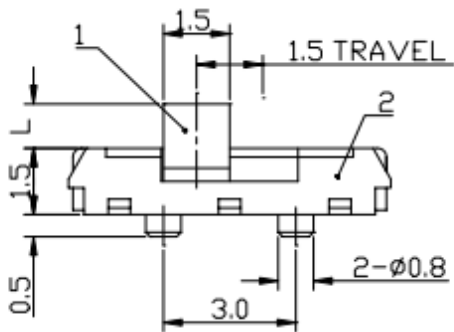
SMD IS-1390



ITEM	PERFORMANCE
Title	MINI SLIDE SWITCH
Model	SMD IS-1390
Rating	0.3A 6V DC
Function	2P2T
Timing	Non-shorting
ContactResistance(mohms)	70mΩ max
Insulation Resistanc(Mohms)	100MΩ min at500V DC
Dielectric Strength(V)	AC 500V for 1 min
LifeTest	10000 Cycles

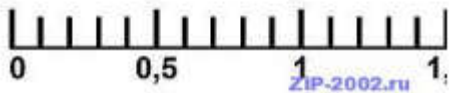


L-1-1.5

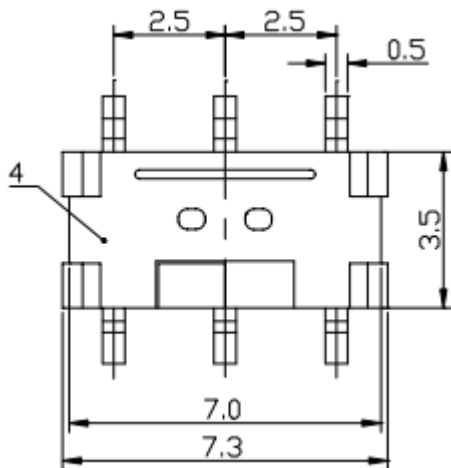




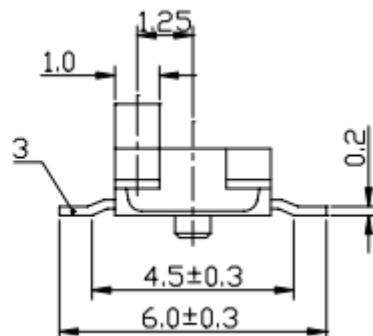
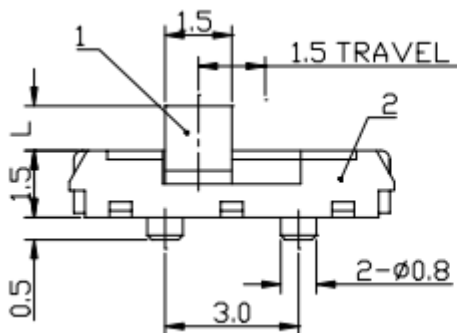
SMD IS-1390A



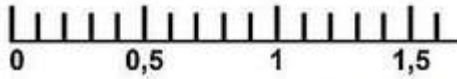
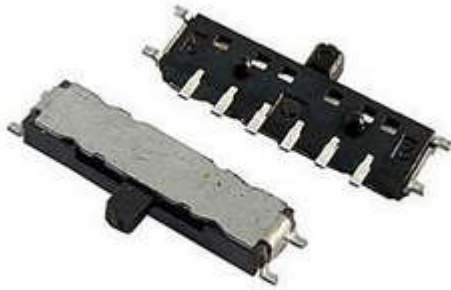
ITEM	PERFORMANCE
Title	MINI SLIDE SWITCH
Model	SMD IS-1390A
Rating	0.3A 6V DC
Function	2P2T
Timing	Non-shorting
ContactResistance(mohms)	70mΩ max
Insulation Resistanc(Mohms)	100MΩ min at500V DC
Dielectric Strength(V)	AC 500V for 1 min
LifeTest	10000 Cycles



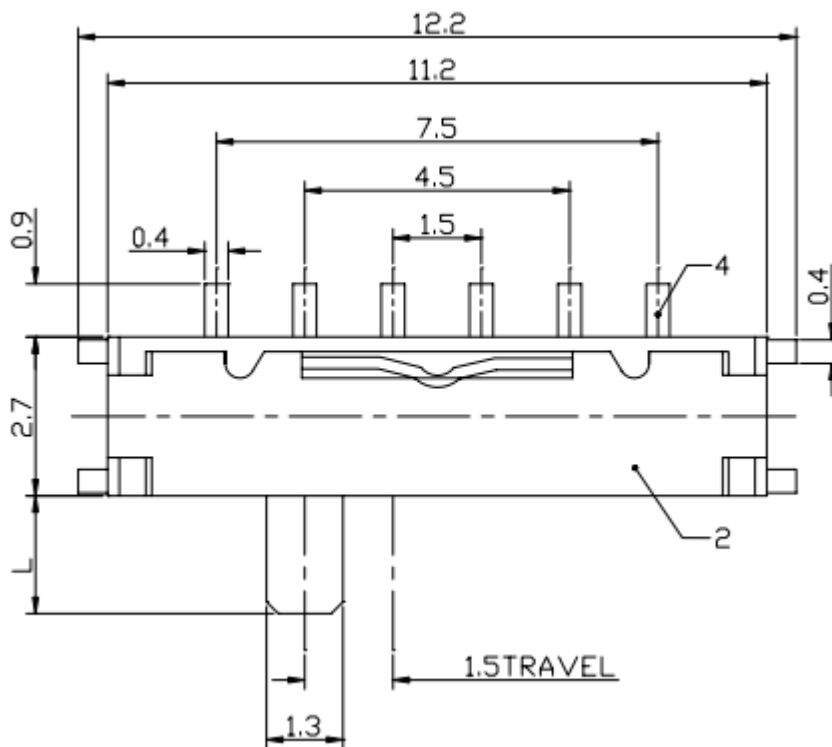
L=1-1.5

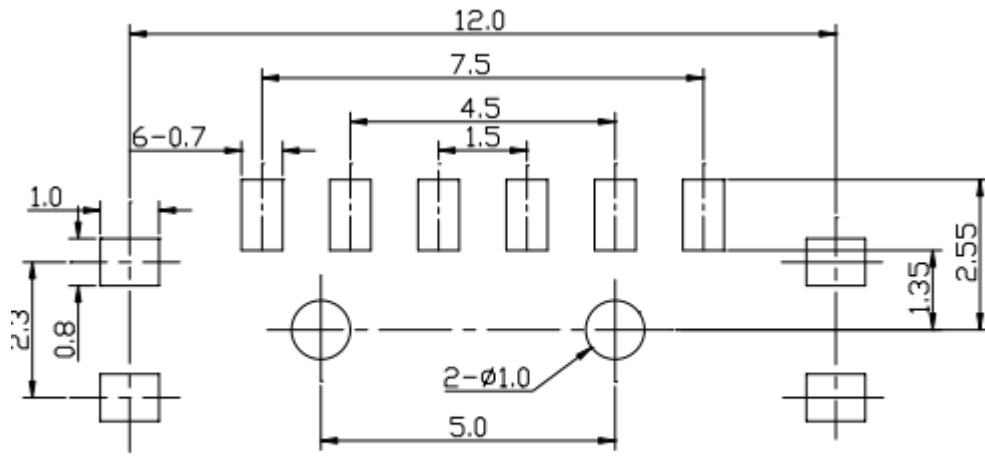


SMD IS-1500

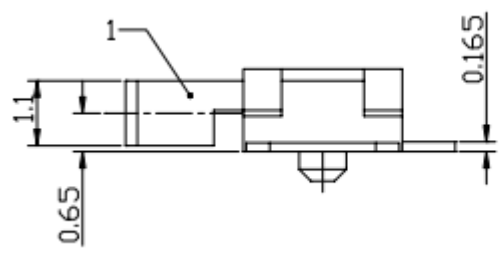
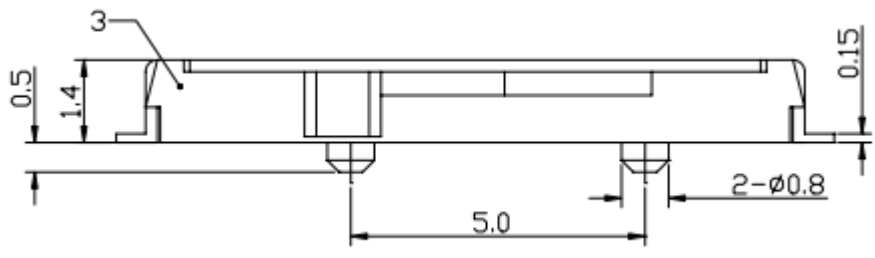


ITEM	PERFORMANCE
Title	MINI SLIDE SWITCH
Model	SMD IS-1500
Rating	0.3A6VDC
Function	1P4T
Timing	NON-SHORTING
ContactResistance(mohms)	70mΩ max
Insulation Resistanc(Mohms)	100MΩ min at500V DC
Dielectric Strength(V)	AC 500V for 1 min
LifeTest	10000 Cycles

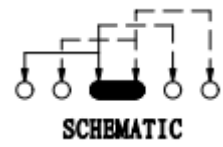




P.C.B LAYOUT

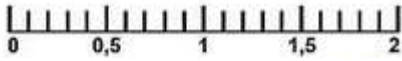
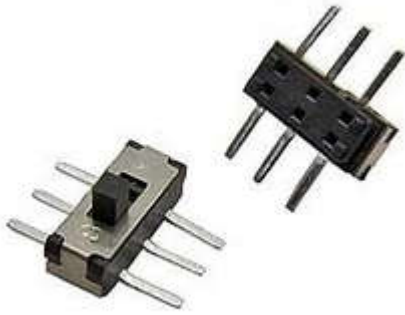


L=1-2

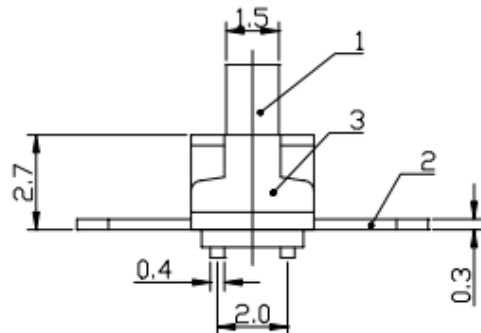
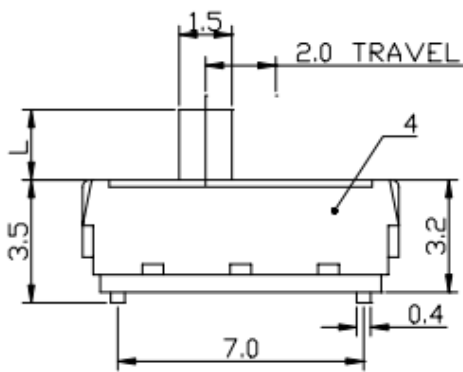
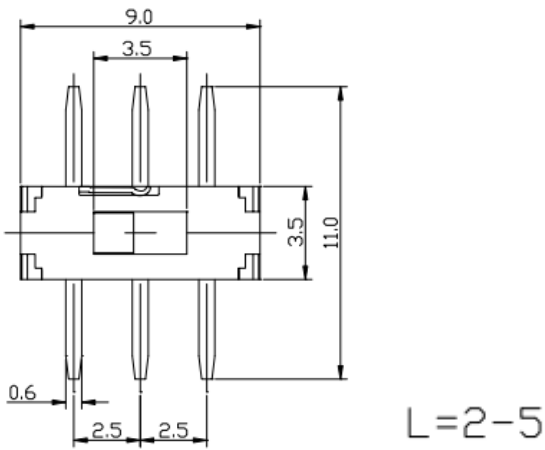


SCHEMATIC

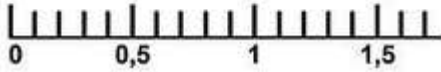
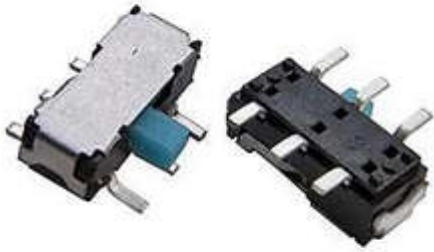
SMD IS-2235S



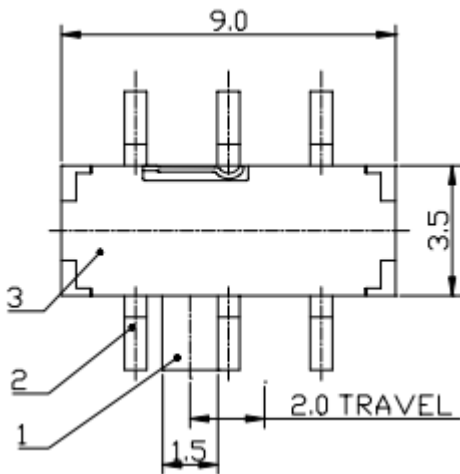
ITEM	PERFORMANCE
Title	MINI SLIDE SWITCH
Model	SMD IS-2235S
Rating	0.3A 6V DC
Function	2P2T
Timing	Non-shorting
ContactResistance(mohms)	70mΩ max
Insulation Resistanc(Mohms)	100MΩ min at500V DC
Dielectric Strength(V)	AC 500V for 1 min
LifeTest	10000 Cycles



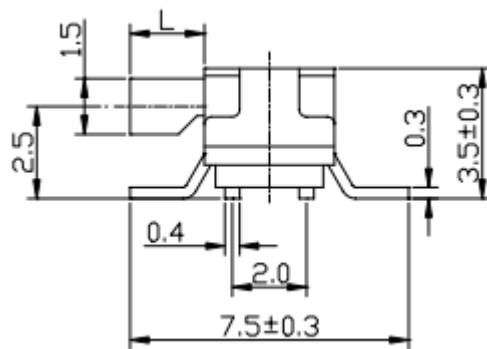
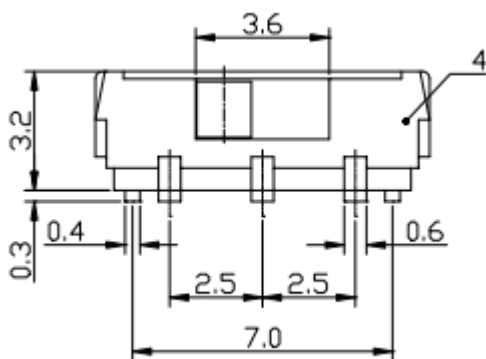
SMD IS-2245S



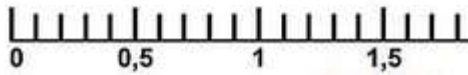
ITEM	PERFORMANCE
Title	MINI SLIDE SWITCH
Model	SMD IS-2245S
Rating	0.3A 6V DC
Function	2P2T
Timing	Non-shorting
ContactResistance(mohms)	70mΩ max
Insulation Resistanc(Mohms)	100MΩ min at 500V DC
Dielectric Strength(V)	AC 500V for 1 min
LifeTest	10000 Cycles



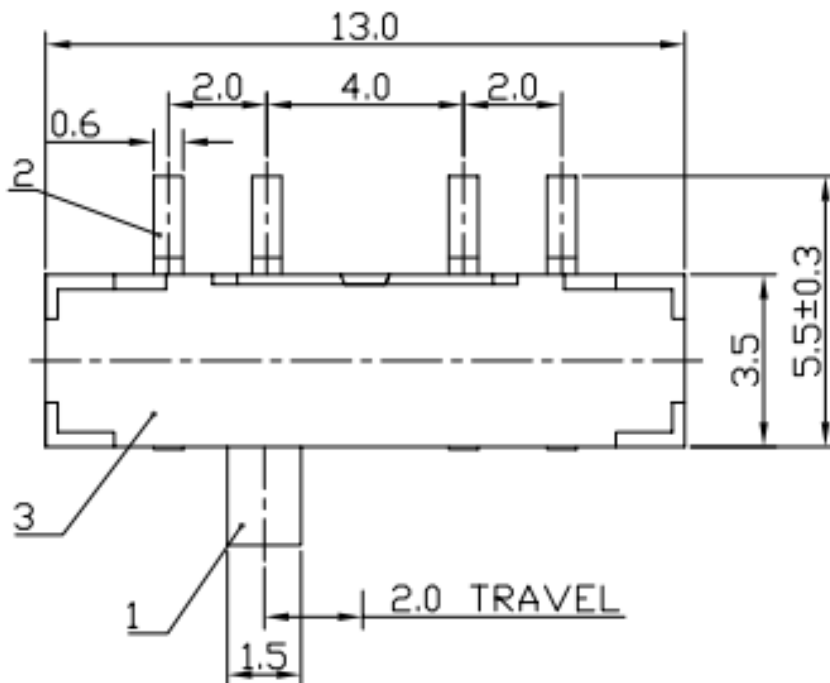
**L=2-5**

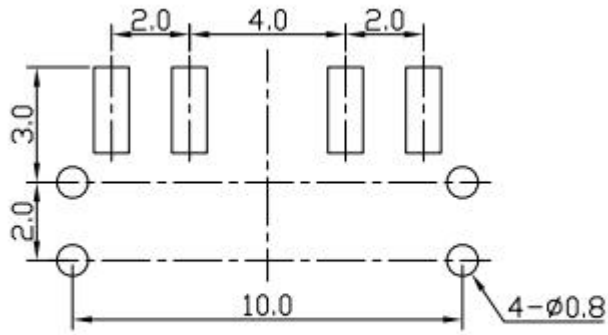
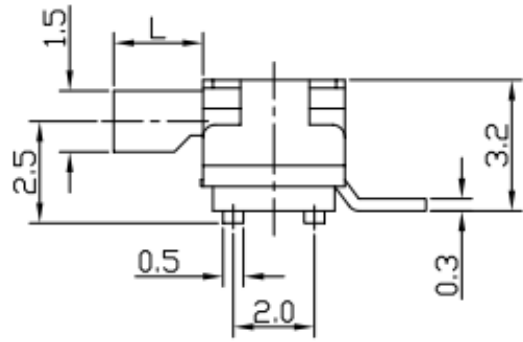


SMD ISD-1370R1

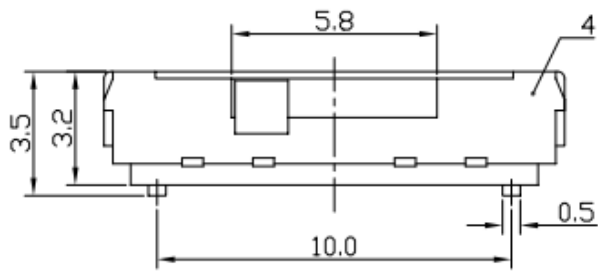


ITEM	PERFORMANCE
Title	MINI SLIDE SWITCH
Model	SMD ISD-1370R1
Rating	0.3A 6V DC
Function	1P3T
Timing	NON-SHORTING
ContactResistance(mohms)	70mΩ max
Insulation Resistanc(Mohms)	100MΩ Min for 500V DC 1Min
Dielectric Strength(V)	AC 250V for 1 min
LifeTest	10,000 Cycles





P.C.B LAYOUT



L=2-5