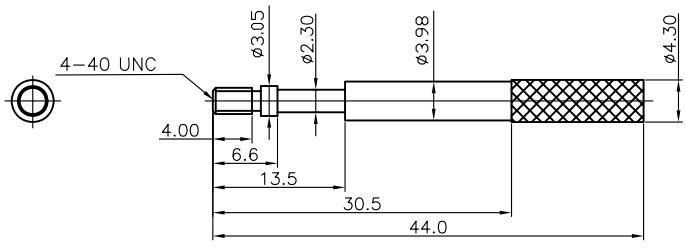
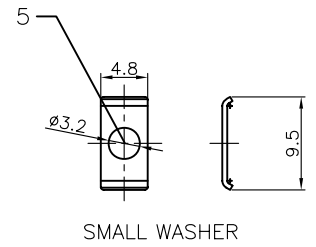
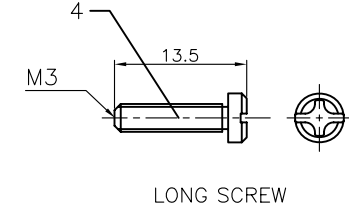
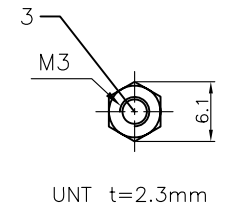
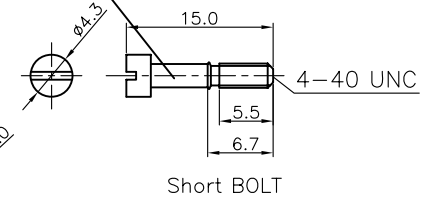
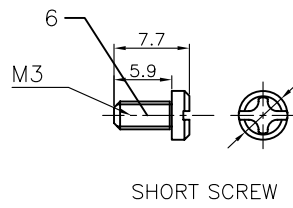
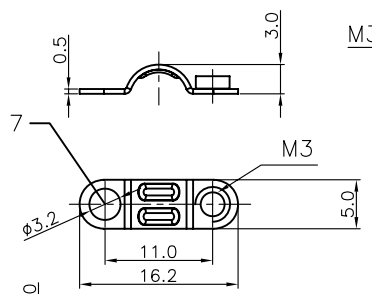
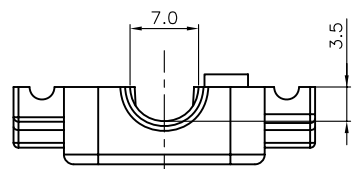
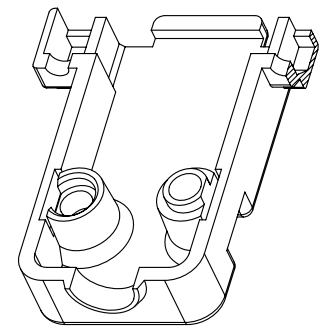
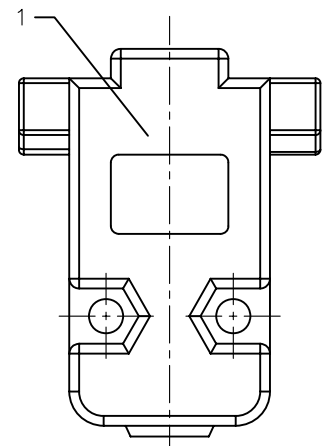
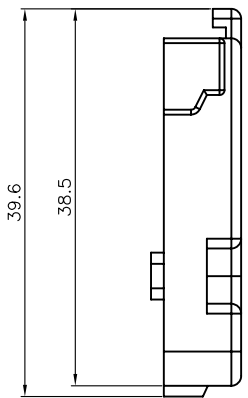
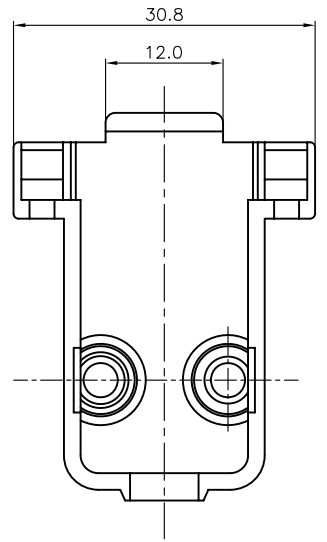
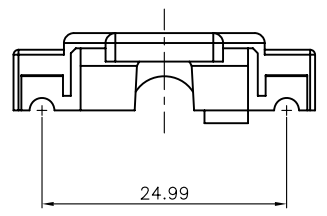


BOM LIST			
ITEM	PART NAME	Q'ty	NOTES
1	PLASTIC HOOD	2	ABS
2	BOLT	2	#4-40
3	NUT	2	M3
4	LONG SCREW	2	M3
5	SMALL WASHER	2	
6	SHORT SCREW	2	M3
7	MIDDLE WASHER	2	M3

REV.	DESCRIPTION	DRAWN	CHECKED	APPROVED

NOTES:
 1. Hardwares are all Nickel plated.
 2. PART NUMBER CODE:

DS1045 - 09 X X X X
 Bolt type
 L: Long
 S: Short
 Packing type
 1: Mix packing
 2: Separation packing
 Cover Color
 A: Gray
 B: Black
 Cover Material
 P: Plastic(ABS)
 Position
 09: 9pin



GENERAL TOLERANCE	ANGLE TOLERANCE
X. ±0.60	X. ±5°
.X ±0.38	.X ±3°
.XX ±0.25	.XX ±2°

PROJECTION	TITLE
UNITS mm	D-SUB 9pin Cover
SHEET SIZE A4	SERIES DS1045 SERIES
DP-9C	

DRAWING TYPE	COSTUMER
SCALE 1:1	SHEET 1 OF 1
DRAWING NO. C-DS1045-09XXXX	

Long BOLT