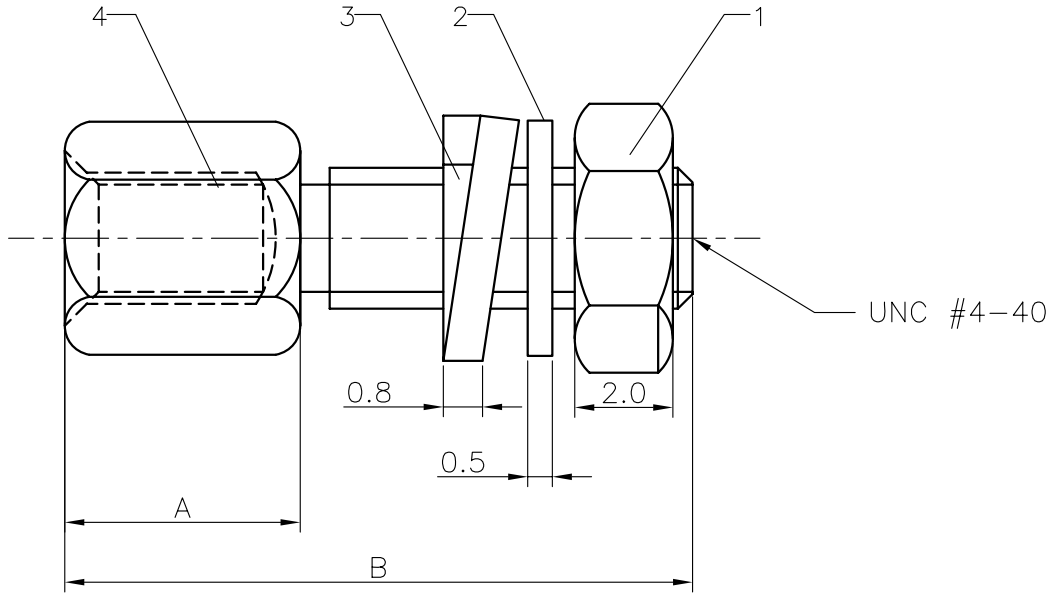
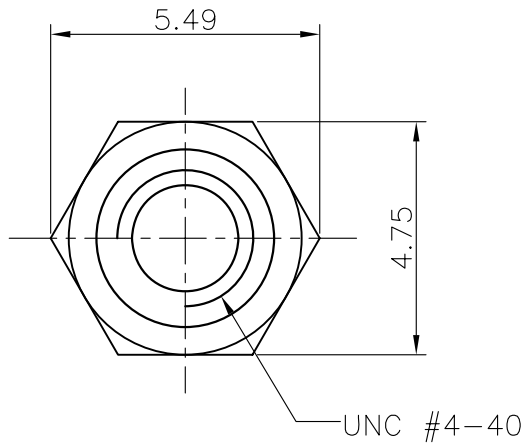


REV.	DESCRIPTION	DRAWN	CHECKED	APPROVED
A	NEW RELEASE	LJH 03/20/06'		



NOTES:

- 1. Plating: Nickel
- 2. Product Number Code
DS1045-01 - X X X

Components support:
 X: W/O washer 2
 Dim. A type:
 0480: 4.80mm
 0580: 5.80mm
 Dim. B type:
 1180: 11.8mm
 1200: 12.0mm
 1280: 12.8mm
 1780: 17.8mm

GENERAL TOLERANCE		ANGLE TOLERANCE		PROJECTION		TITLE	SCREW ASSEMBLY	
X.	±0.20	X.	±2°	UNITS	mm	SHEET SIZE	A4	SERIES DS1045-01 SERIES
.X	±0.15	.X	±1°	SCR-10	1045-01			
.XX	±0.10	.XX	±0.5°	DRAWING TYPE	CUSTOMER			
4	BOLT	Steel	NICKEL	SCALE	1:1	SHEET	1 OF 1	
3	SPLIT WASHER	Steel	NICKEL	DRAWING NO.	C-DS1045-01-XXX			
2	WASHER	Steel	NICKEL					
1	NUT	Steel	NICKEL					
ITEM	PART NAME	PART NO.	MATERILAS	FINISHED				