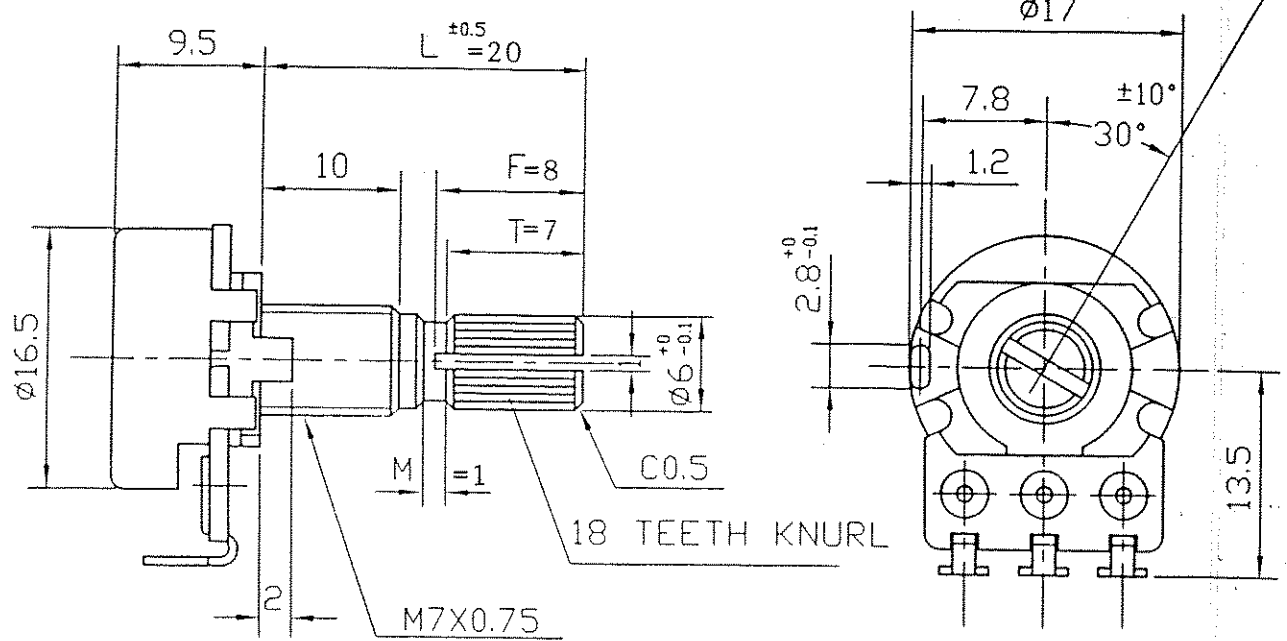
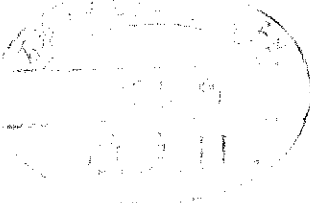
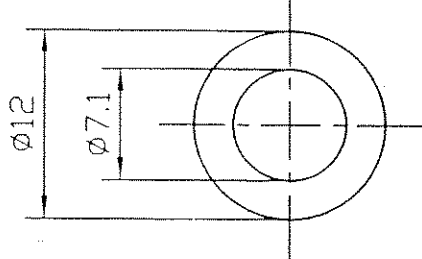
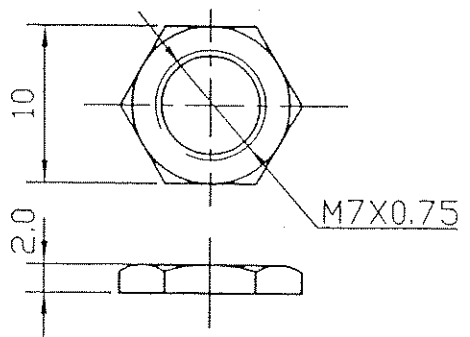


FULL C.C.W. POSITION



NUT 1 PC

WASHER 1 PC t=0.4



Alpha Electronic Co., Ltd. (台灣電子工業股份有限公司)
 文管中心
 94.2.21
 發行

NOTE: BUSHING MATERIAL IS ZINC ALLOY DIECASTING.

RV16AF-10B6-(L)K-XXX-(0C)

NO.	DATE	DESCRIPTION	MODEL NAME				
TOL. UNLESS OTHERWISE STATED		DIMENSION	SCALE	DRAWN BY	CHECKED BY	APPROVED BY	DRAWING NO.
less than	10	±0.3	2				
above	10 ~ 30	±0.5					
above	30 ~ 100	±1.0	1				
above		±5'					