

# LG 2M213 SERIES

PHOTO



GENERAL DATA

**ELECTRICAL CHARACTERISTICS**

Filament voltage	3.5Vac
Filament current	10.5Aac
Frequency(with matched load)	2460Mhz
Anode potential	Earth
Filament potential	(-4kV)
Magnet	Ferrite-magnet

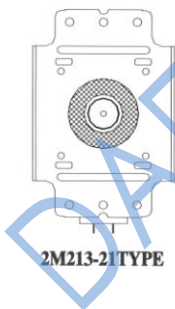
**MECHANICAL CHARACTERISTICS**

Width	73.2mm(2.88inches) max.
Length	109mm(4.28inches) max.
Height	126mm(4.96inches) max.
Weight	Approx. 0.8kg
Mounting position	Any
Cooling	Forced air

REMARKS

**FEATURES**

- Light-weight, compact, cost-effective construction
- Sufficiently suppressed noise spectrum.
- Stable performance and good reliability



ABSOLUTE MAXIMUM RATINGS

**ELECTRICAL CHARACTERISTICS**

	Min	Max	Unit
Filament voltage	3.05	3.95	Vac
Pre-heating time	0	-	Sec
Average anode current	-	280	mAdc
Peak anode current	-	1000	mAp
Average anode input	-	1000	W
Load VSWR(continuous)	-	4	-
Load VSWR(instantaneous)	-	8	-
Anode core temperature	-	300	°C
Temperature	-30	60	°C

TYPICAL OPERATION

**OPERATING CONDITION**

Filament voltage	3.5Vac
Average anode current#	200mAdc
Cooling air flow	0.8m <sup>3</sup> /min
Power supply unit: Half-wave double with leakage transformer or full-wave rectifier without filter.	

**TYPICAL PERFORMANCE**

Frequency(matched load)	2460Mhz
Peak anode voltage	3.95kVp
Average output power(matched load)	700W
Average output power(in a typical oven)	600W
In accordance with IEC Pub. 705 measurement method.	

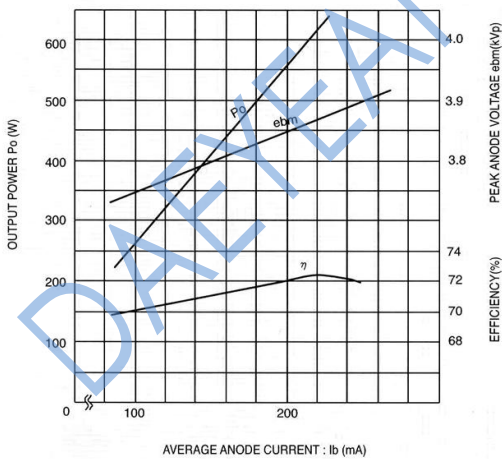
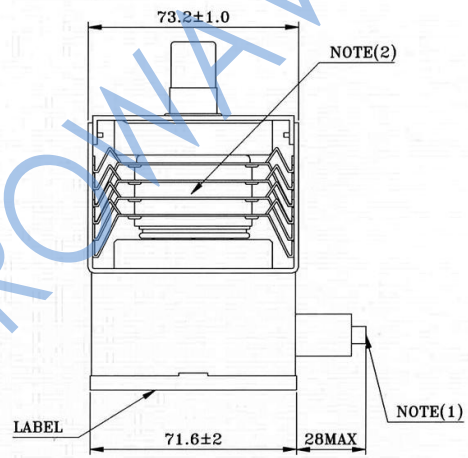
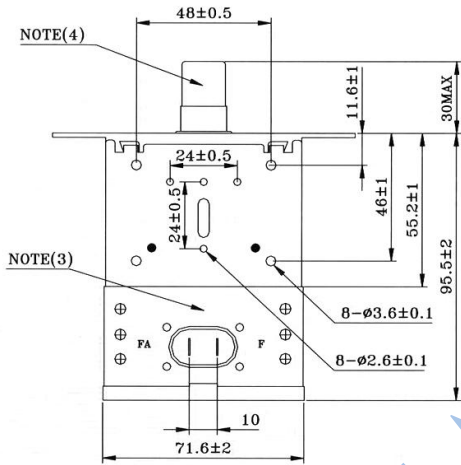
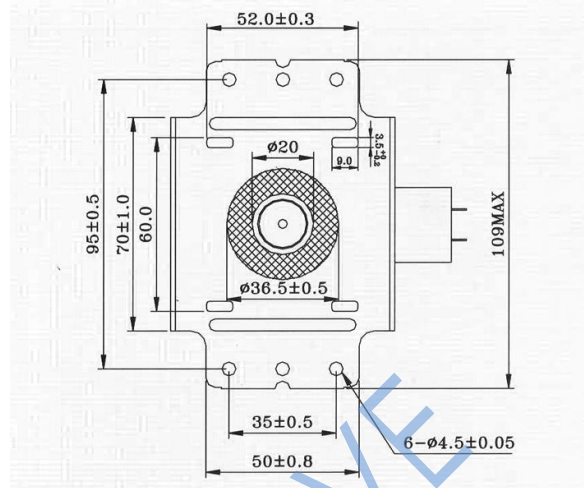
**DIMENSIONAL OUTLINE OF 2M213 SERIES**

**DIMENSIONS IN MILLIMETER**

**NOTE:**

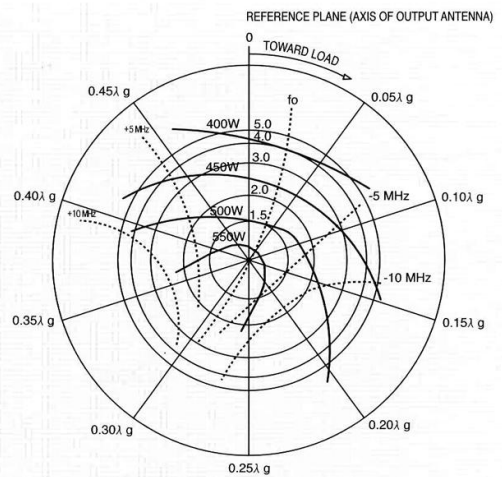
1. Adaptable for AMP FASTON 250 series receptacle
2. Anode temperature measuring point(down stream air)
3. Case temperature measuring point.
4. Antenna temperature measuring point.
5. Change of number and dimensions of holes on the yoke which are not specified in the drawing should be accepted.

Option: other direction types of filament terminal are available



**Fig. 1 PERFORMANCE CHART**

Operation conditions:  
 Power supply: single phase full wave rectifier  
 Without filter.  
 Load V.S.W.R:  $\leq 1.1$   
 Filament voltage: 3.5v



**Fig. 2 TYPICAL RIEKE DIAGRAM**

Operation conditions:  
 Power supply: single phase full wave rectifier  
 Without filter.  
 Average anode current 200mA  
 Wave guide: LG STANDARD LAUNCHER  
 ——— OUTPUT POWER(W)  
 - - - - - FREQUENCY( $f_0=2460$ Mhz)